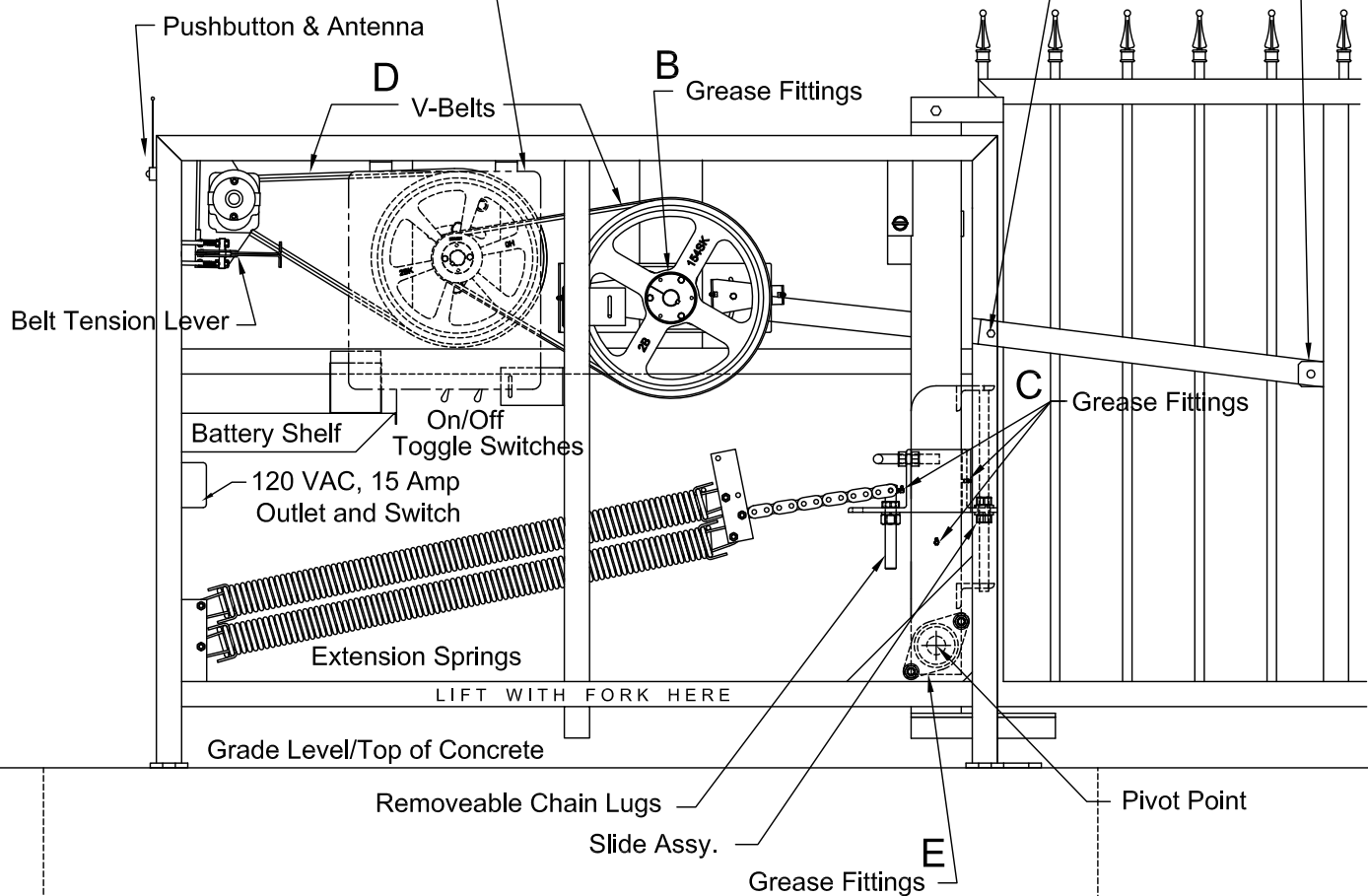


PLAN VIEW



ELEVATION VIEW

| Rev. No.: | Revisions: | Date: |
|-----------|---|-------------|
| A | Revised to show new "rear" magnet plate design. | 10-17-08 MS |
| B | Revised showing new arm and spring locations. | 07-09-09 MS |

NOTICE
 THE INFORMATION CONTAINED ON THIS DOCUMENT IS CONFIDENTIAL. ANY DISSEMINATION, UNAPPROVED DISCLOSURE OR COPYING OF THIS INFORMATION IS STRICTLY PROHIBITED.
 UNLESS OTHERWISE SPECIFIED DIMENSIONS ARE IN INCHES
 ANGLES ± 1°
 X/X ± 1/32, .XX ± .01, .XXX ± .005

Date: 11/23/05
 Drn. By: MKS
 Chk. By:
 Dwg.: 103-DR
 Title: 24V Gate Operator Details

AG AutoGate
 Gate Entry Systems
 Berlin Heights, Ohio
 FAX (419) 588-3514