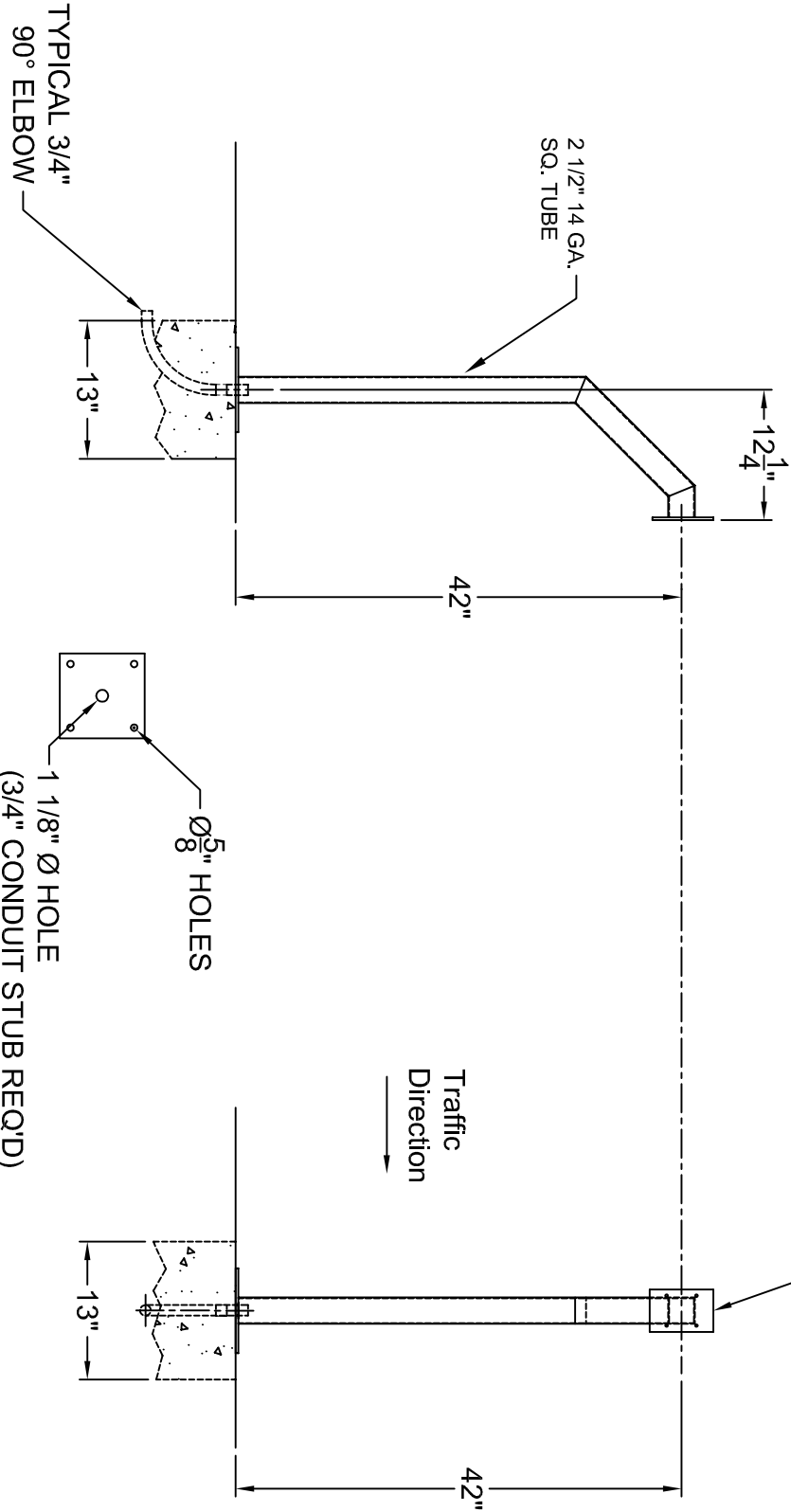


FACEPLATE MAY VARY WITH KEYPAD STYLE



STD. 8" BASE PL. (4020-B)

- NOTES:
- * 1/2" CONCRETE ANCHORS PROVIDED W/GOOSENECK
 - * POUR CONCRETE PADS BELOW LOCAL FROST LINE

Filed: 04/06/07

Date:	08/10/05
Drn. By:	MKS
Supercedes:	7/9/04
Dwg:	111
Title:	Gooseneck

