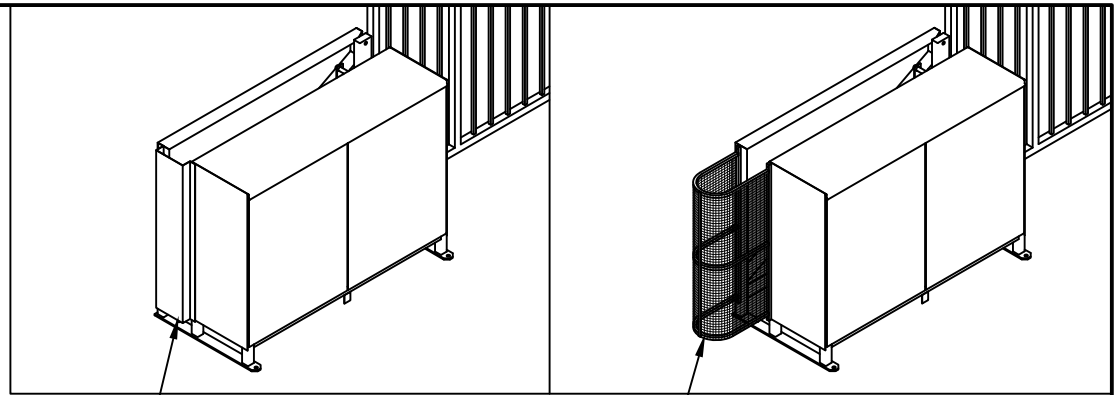


Notes:

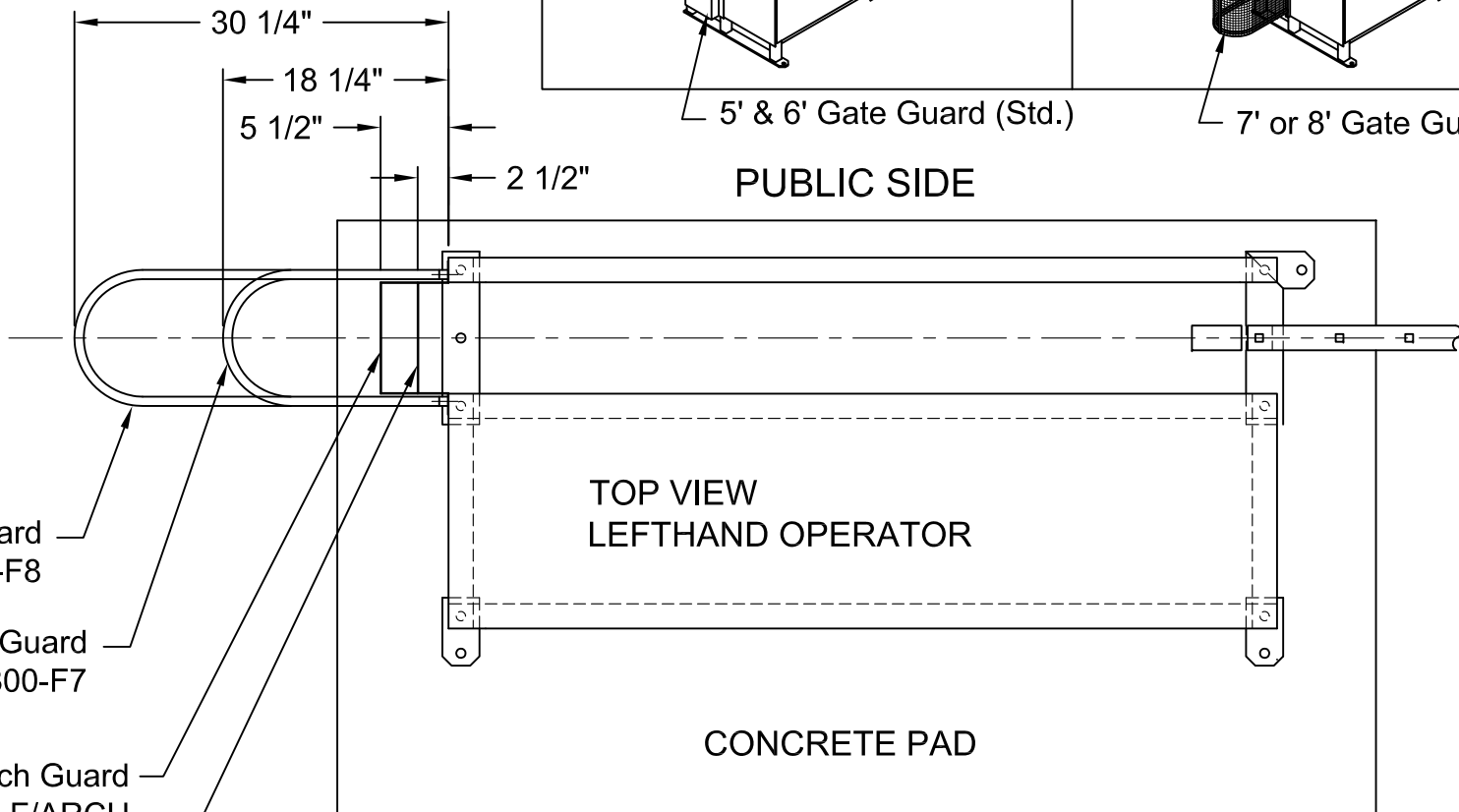
- 1) 9' Gates and up will require local fencing
- 2) Scale is in inches
- 3) Reference dwg. #'s 100, 101, 102, 103



5' & 6' Gate Guard (Std.)

7' or 8' Gate Guards

PUBLIC SIDE



TOP VIEW
LEFTHAND OPERATOR

CONCRETE PAD

PRIVATE/SECURED SIDE

8' Gate Guard
6800-F8

7' Gate Guard
6800-F7

6' Arch Guard
6800-F/ARCH

5' & 6' Gate Guard
6800-F

DO NOT SCALE

Rev. No.:	Revisions:	Date:

NOTICE
THE INFORMATION CONTAINED ON THIS DOCUMENT IS CONFIDENTIAL. ANY DISSEMINATION, UNAPPROVED DISCLOSURE OR COPYING OF THIS INFORMATION IS STRICTLY PROHIBITED.
UNLESS OTHERWISE SPECIFIED DIMENSIONS ARE IN INCHES
ANGLES ± 1°
X/X ± 1/32, .XX ± .01, .XXX ± .005

Date: 09/21/05
Drm. By: MKS
Supersedes: 08/23/05
Dwg.: 118



Title: Standard Gate Guards and Dimensions