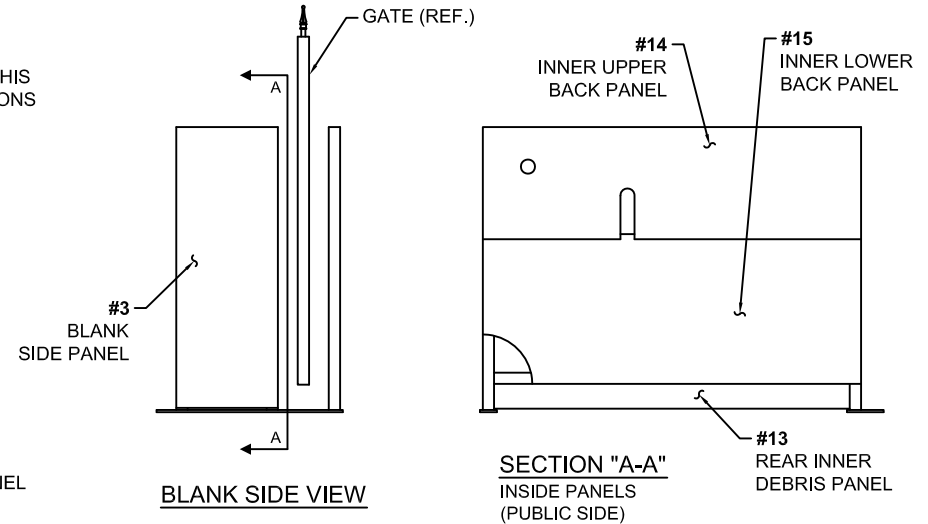
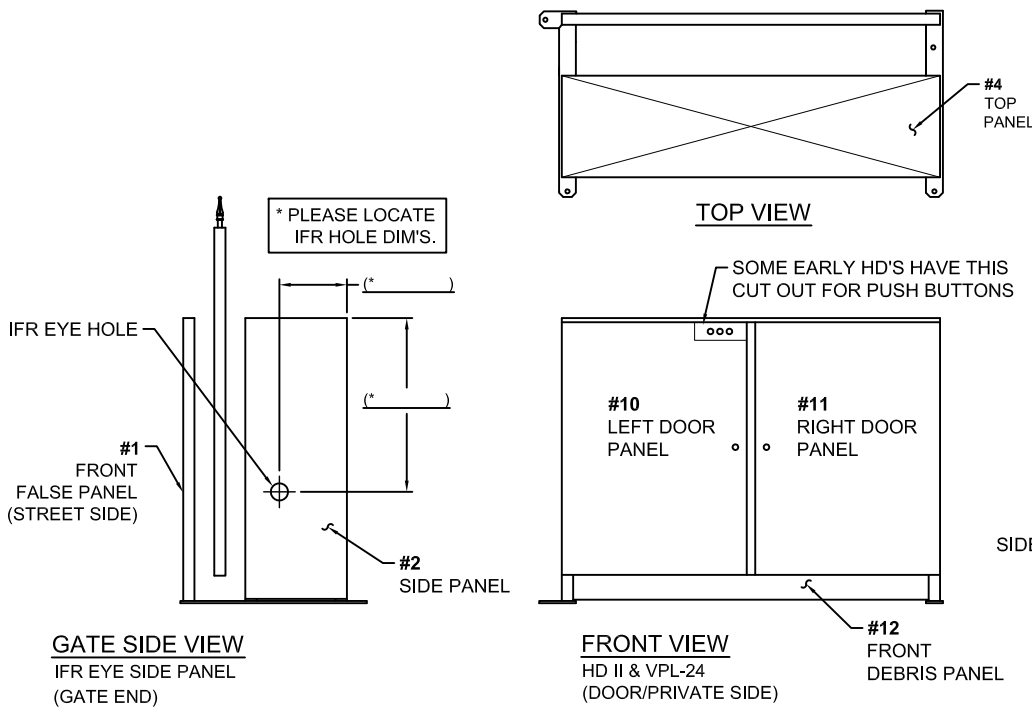


OPERATOR PANEL LOCATIONS

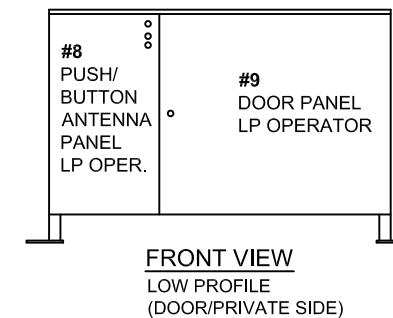
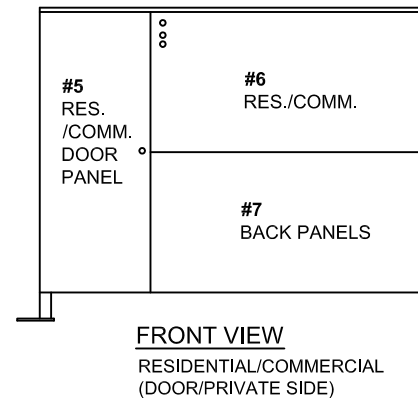
AG#: _____ DATE: _____
 OPER. STYLE: RES. LP HD HDII VPL-24
 COLOR: _____ PAINT TYPE: _____
 CUSTOMER: _____
 TRUCK LINE: _____




* NOTE: FRONT PANELS (1) FOR LP'S & HD II, (2) FOR RES. & COMM.

PLEASE INDICATE WHICH PANEL(S) WERE DAMAGED AND VERIFY THE SIZES OF EA. PANEL(S) YOU NEED:

- #1 FRONT FALSE PANEL _____ (Dim. _____ "x _____")
- #2 GATE END/IFR BEAM SIDE PANEL _____ (Dim. _____ "x _____")
- #3 BLANK SIDE PANEL _____ (Dim. _____ "x _____")
- #4 TOP PANEL _____ (Dim. _____ "x _____")
- #5 DOOR PANEL COMM./RES. _____ (Dim. _____ "x _____")
- #6 UPPER BACK PANEL COMM./RES. _____ (Dim. _____ "x _____")
- #7 LOWER BACK PANEL COMM./RES. _____ (Dim. _____ "x _____")
- #8 PUSH BUTTON LP _____ (Dim. _____ "x _____")
- #9 DOOR PANEL LP _____ (Dim. _____ "x _____")
- #10 LEFT DOOR PANEL HD II & VPL-24 _____ (Dim. _____ "x _____")
- #11 RIGHT DOOR PANEL HD II & VPL-24 _____ (Dim. _____ "x _____")
- #12 FRONT DEBRIS PANEL _____ (Dim. _____ "x _____")
- #13 REAR INNER DEBRIS PANEL _____ (Dim. _____ "x _____")
- #14 INNER UPPER BACK PANEL _____ (Dim. _____ "x _____")
- #15 INNER LOWER BACK PANEL _____ (Dim. _____ "x _____")



Rev.:	Revisions:	Date:
A	REVISED TO ADD VPL-24 & PUT IN AUTOCAD	04/22/08 MKS

Date: 4/22/08	
Drn. By: MKS	
Ckd. By: .	
Dwg.: 129-Operator Panel Locations.dwg	
Title: Operator Panel Locations Drawing	

Berlin Heights, Ohio
FAX (419) 588-3514