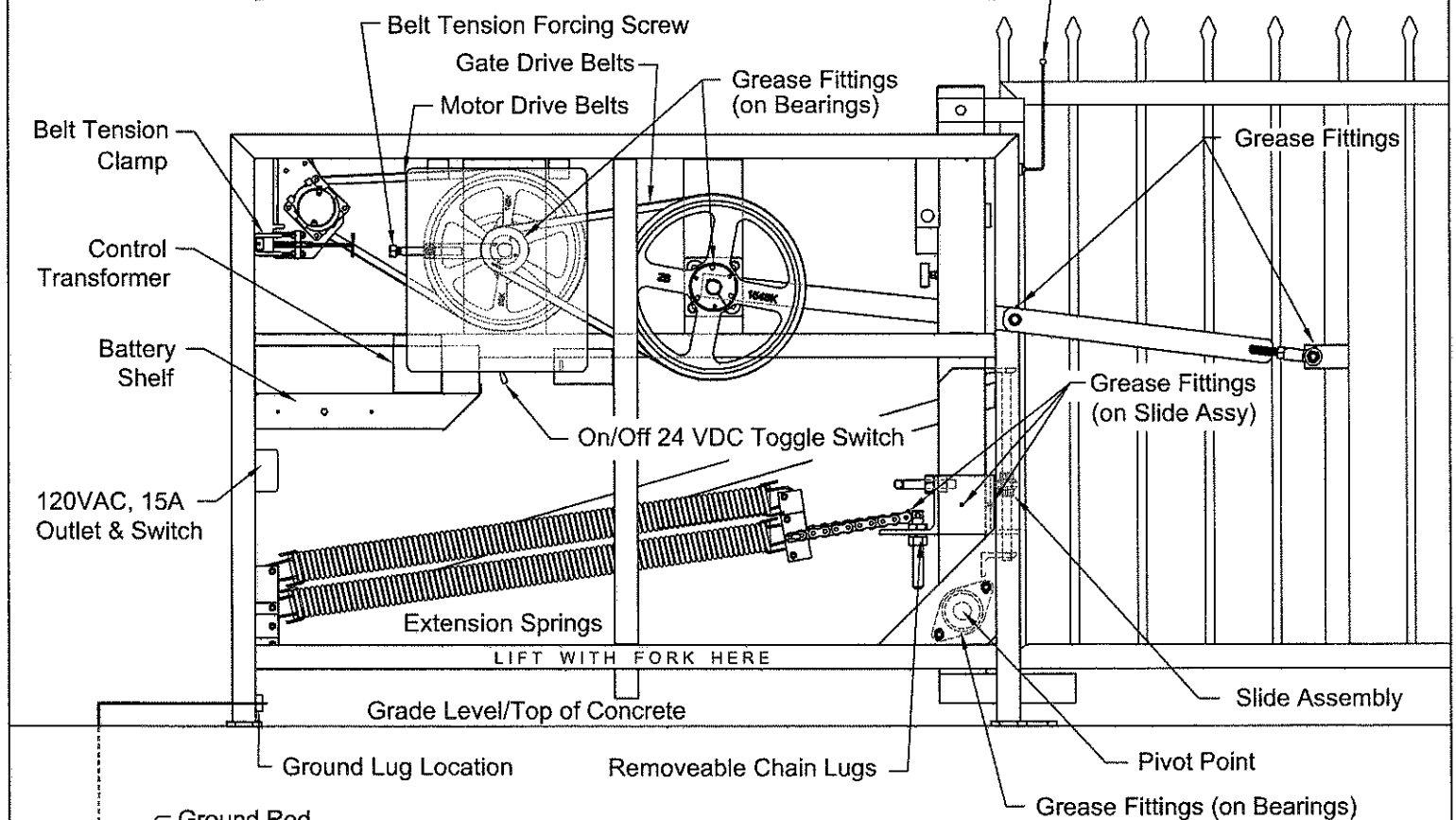


PLAN VIEW



ELEVATION VIEW

Rev.:	Description:	Date:	Drn. By:	Ckd. By:
C	ADDED GROUND LUG, TRANSFORMER & REVISED NOTES	12/29/10	MKS	DMR
B	REVISED SHOWING NEW ARM AND SPRING LOCATIONS	07/09/09	MKS	DMR
A	REVISED TO SHOW NEW REAR MAGNET PLATE DESIGN	10/17/08	MKS	DMR

NOTICE
 THE INFORMATION CONTAINED ON THIS DOCUMENT IS CONFIDENTIAL. ANY DISSEMINATION, UNAPPROVED DISCLOSURE OR COPYING OF THIS INFORMATION IS STRICTLY PROHIBITED.
 UNLESS OTHERWISE SPECIFIED DIMENSIONS ARE IN INCHES
 ANGLES ± 1°
 XX ± 1/32 .XX ± .01 .XXX ± .005

Date: 11/23/05
 Drn. By: MKS
 Chk. By: DMR
 Dwg.: 103-DR
 Title: 24V Gate Operator Details (Double Reduction)

AG AutoGate
 Gate Entry Systems
 Berlin Heights, Ohio
 FAX (419) 588-3514