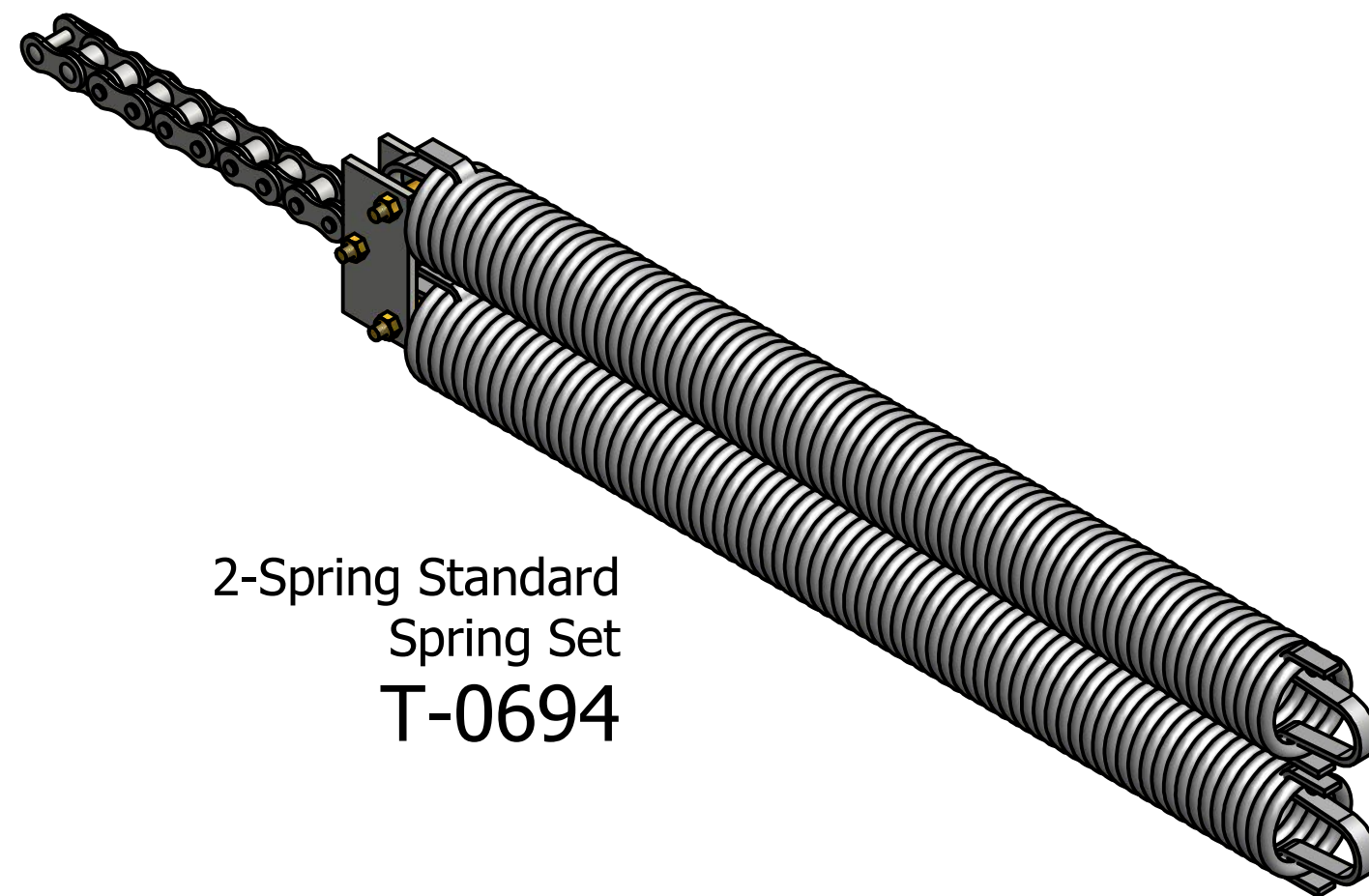
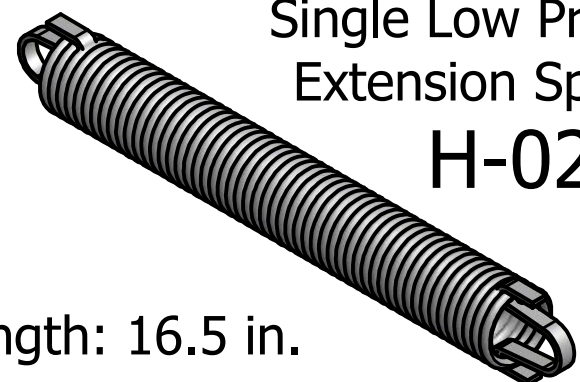


3-Spring Standard  
Spring Set  
**T-0702**

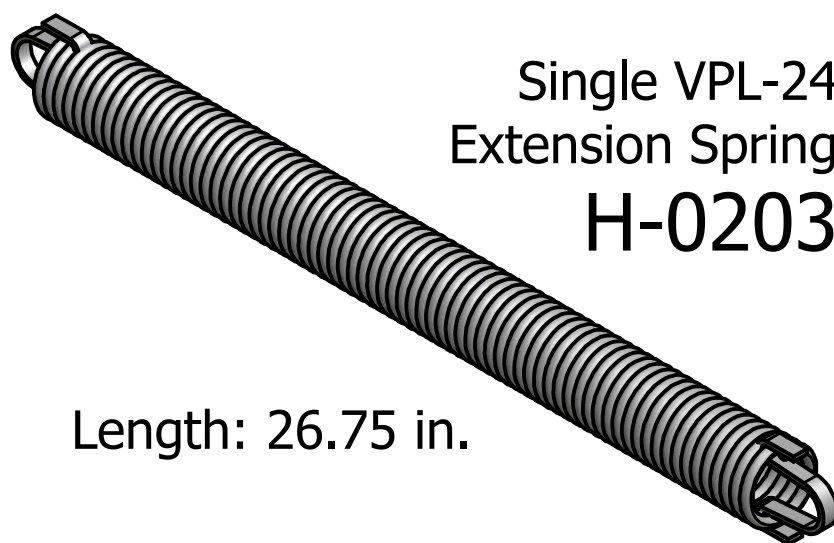


2-Spring Standard  
Spring Set  
**T-0694**



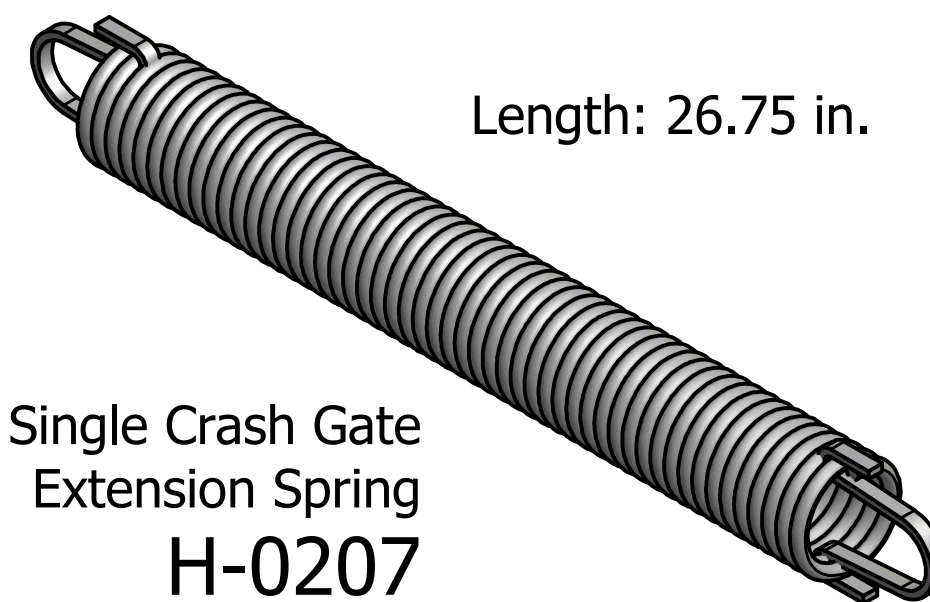
Single Low Profile  
Extension Spring  
**H-0201**

Length: 16.5 in.



Single VPL-24  
Extension Spring  
**H-0203**

Length: 26.75 in.



Length: 26.75 in.

Single Crash Gate  
Extension Spring  
**H-0207**

**NOTICE**

THE INFORMATION CONTAINED  
IN THIS DOCUMENT IS  
CONFIDENTIAL. ANY  
DISSEMINATION, UNAPPROVED  
DISCLOSURE, OR COPYING OF  
THIS INFORMATION IS  
STRICTLY PROHIBITED.

UNLESS OTHERWISE SPECIFIED  
DIMENSIONS ARE IN INCHES  
ANGLES ± 1°  
X/X ± 1/32, .XX ± .01, .XXX ± .005

FILE: E:\3D Inventor\OPERATOR\Drawings\Replacement\_Spring\_Drawing.dwg

DATE: 5/15/2014

DRAWN: odeyoe

CKD BY:

DRAWING: Replacement\_Spring\_Drawing

TITLE:

