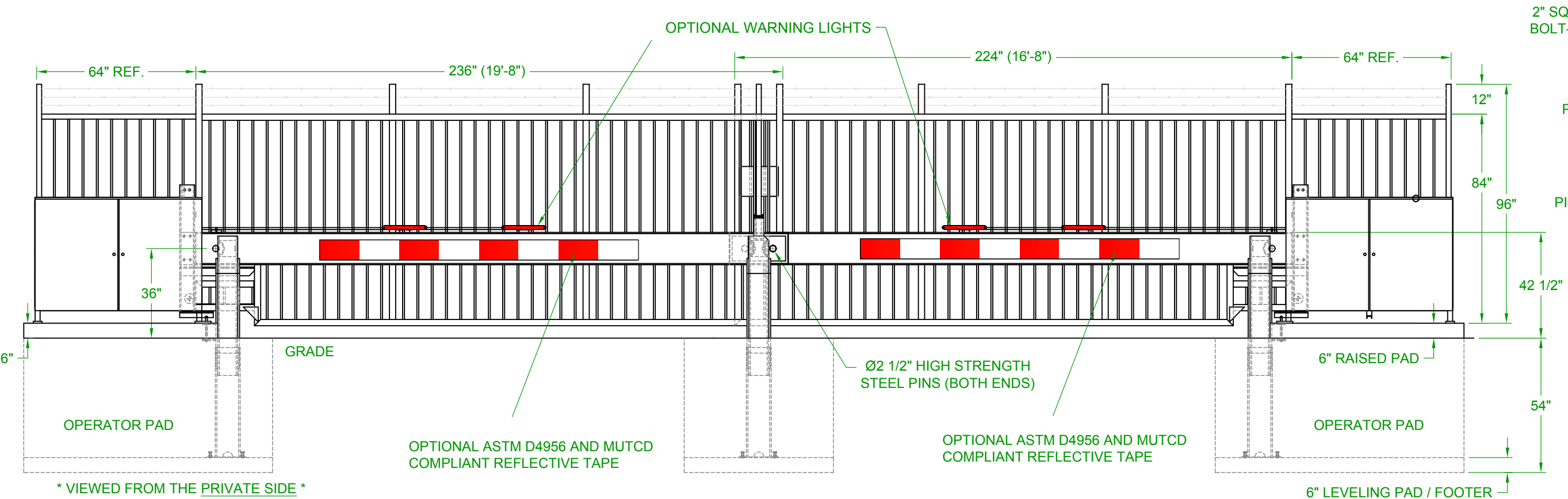
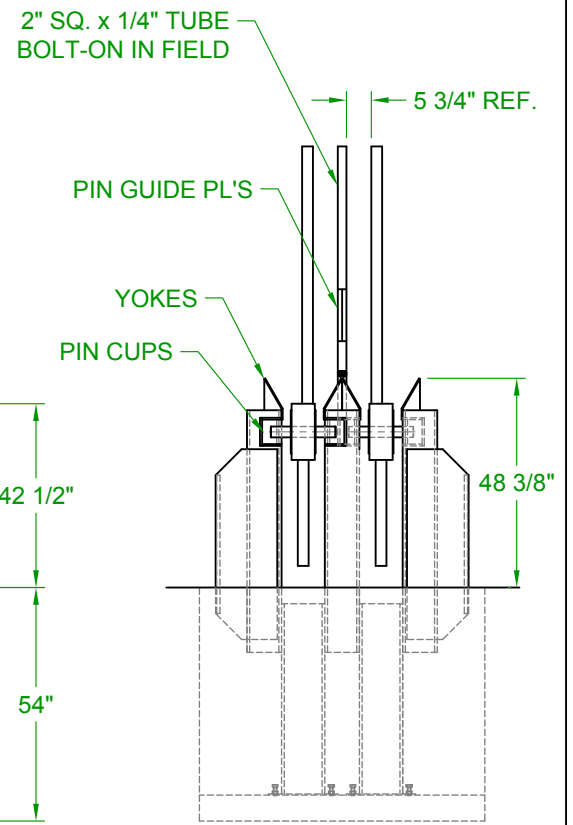


PLAN VIEW



ELEVATION VIEW



SIDE VIEW AT ISLAND

GATE MATERIAL SHOWN ABOVE IS ALSO AVAILABLE IN CHAIN LINK AND HIGH SECURITY/ANTI-CLIMB PALES

PER: ASTM 2656-07, SPECIFICALLY 7.2.2;  
 THE FOUNDATION SHALL BE POURED ON UNDISTURBED SOIL, OR CONTROLLED AND COMPACTED FILL TO A DENSITY OF NOT LESS THAN 90% MAXIMUM DRY DENSITY IN ACCORDANCE WITH TEST METHODS D 1556 AND D 2922 AND AASHTO METHOD OF TEST T099.

Rev.:	Description:	Date:
A	6" LEVELING PAD WAS 3" & WIDENED IT ON THE YOKE BOLSTER	06/13/17 MS
B	RIGHTHAND VPL - 16' CLEAR OPENING WAS 14' CLEAR OPENING	07/03/17 MS

<b>NOTICE</b> THE INFORMATION CONTAINED ON THIS DOCUMENT IS CONFIDENTIAL. ANY DISSEMINATION, UNAPPROVED DISCLOSURE OR COPYING OF THIS INFORMATION IS STRICTLY PROHIBITED. UNLESS OTHERWISE SPECIFIED DIMENSIONS ARE IN INCHES ANGLES ± 1° X/X ± 1/32, XX ± .01, XXX ± .005	Date: 07/14/16	 Berlin Heights, Ohio FAX (419) 588-3514
	Drn. By: M.S.	
	Ckd. By: B.F.	Dwg.: AGQ 19258 PROJ - CLEVELAND
	Title: Buckeye M30 Crash Barrier Gate Systems	