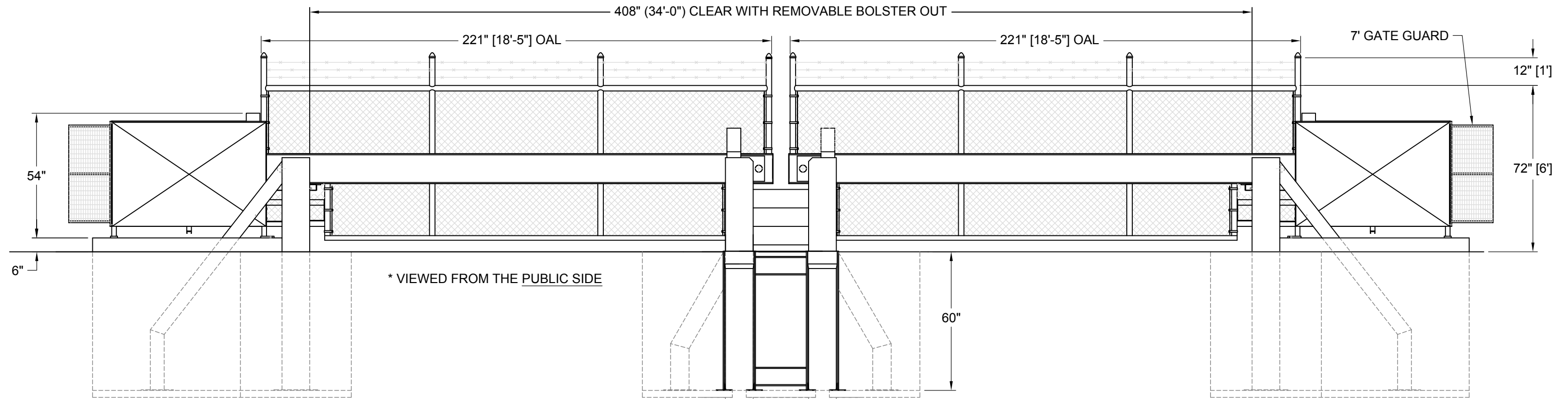


**PLAN VIEW**



**ELEVATION VIEW**

**DO NOT SCALE**

Rev. No.:	Revisions:	Date:

**NOTICE**  
 THE INFORMATION CONTAINED ON THIS DOCUMENT IS CONFIDENTIAL. ANY DISSEMINATION, UNAPPROVED DISCLOSURE OR COPYING OF THIS INFORMATION IS STRICTLY PROHIBITED.  
 UNLESS OTHERWISE SPECIFIED DIMENSIONS ARE IN INCHES ANGLES ± 1°  
 X/X ± 1/32, .XX ± .01, .XXX ± .005

Date: 01/27/16  
 Dwn. By: MKS  
 Ckd. By: .



Dwg.: AGQ# 17110 Fort XXXXXXX - ACS  
 Title: Buckeye, M50 Crash Barrier (15' x 6' + 1')