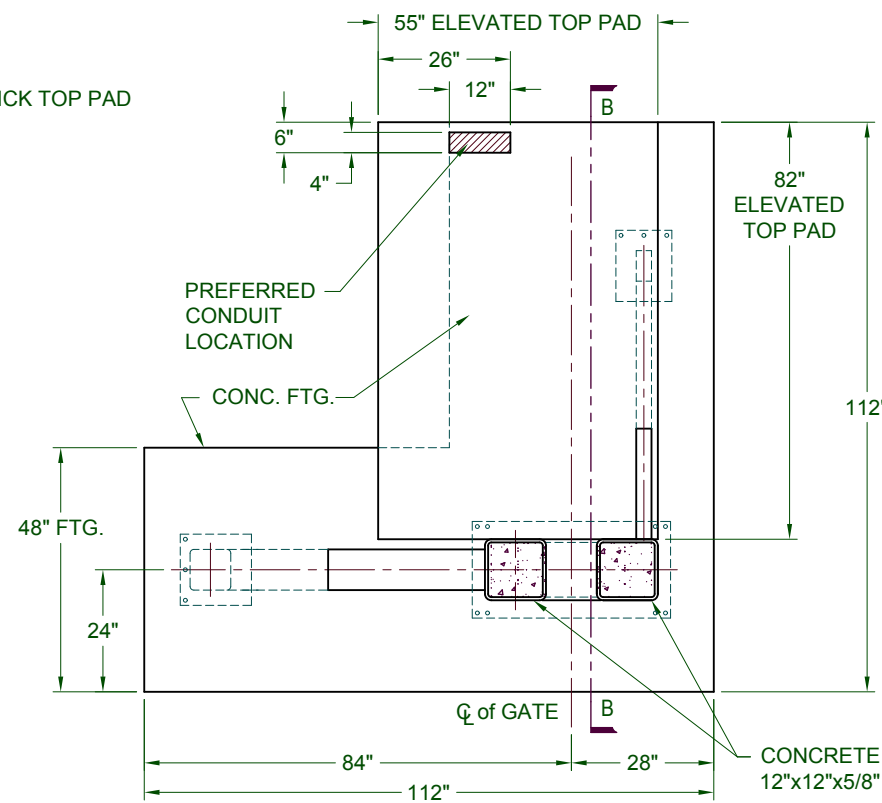
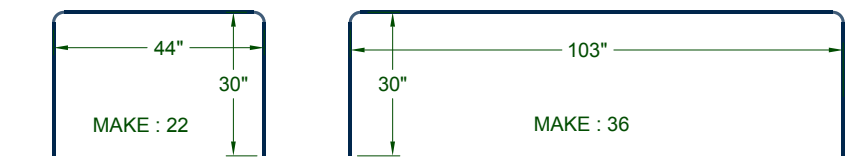


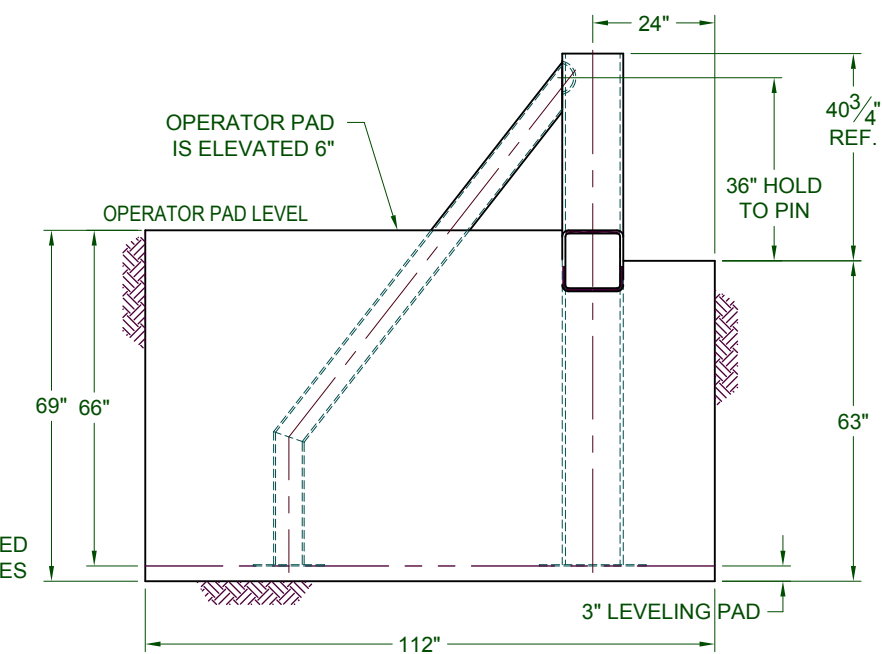
REINFORCEMENT PLAN



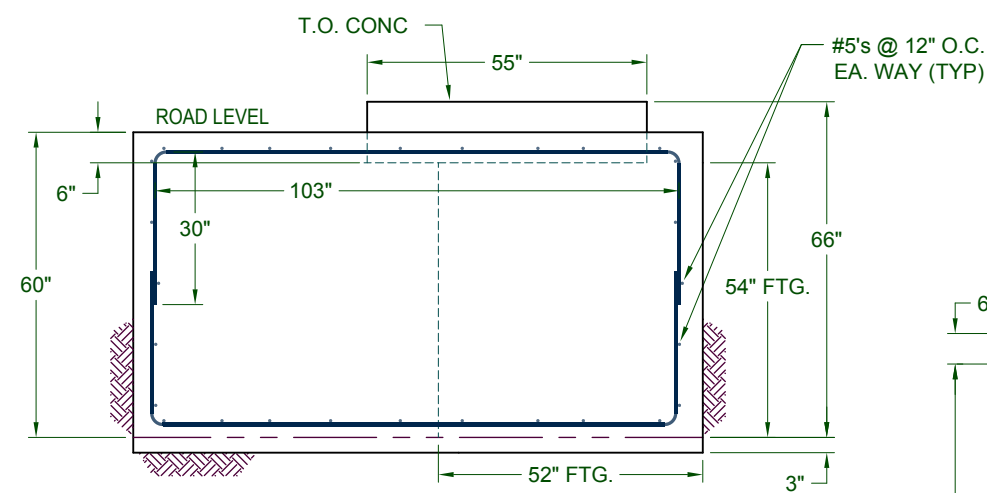
PLAN VIEW



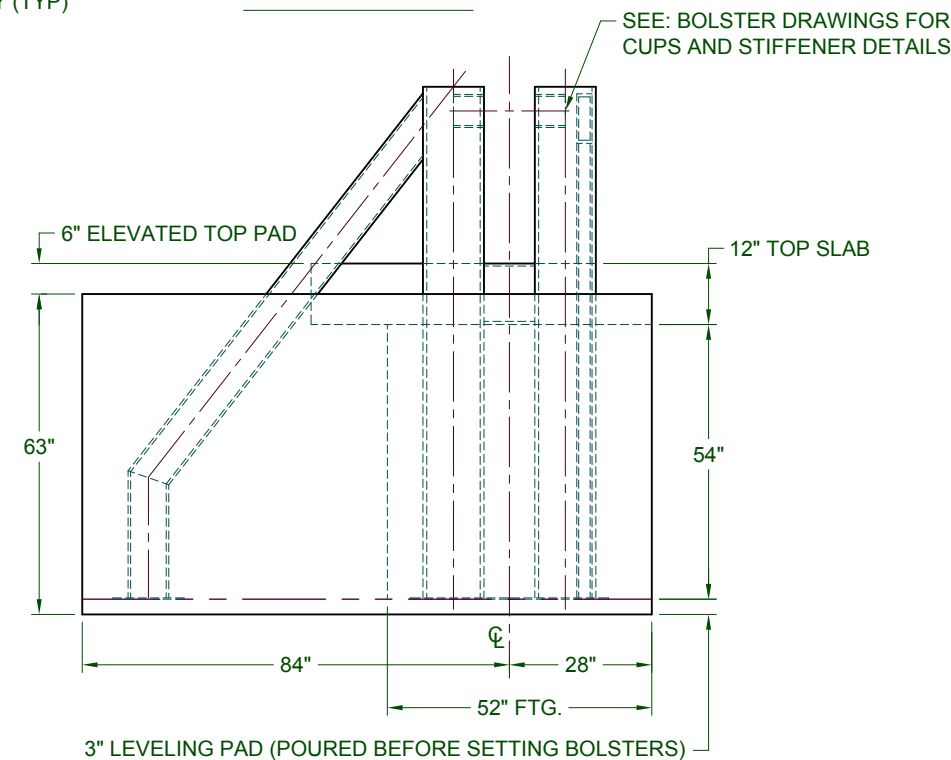
REBAR SIZES



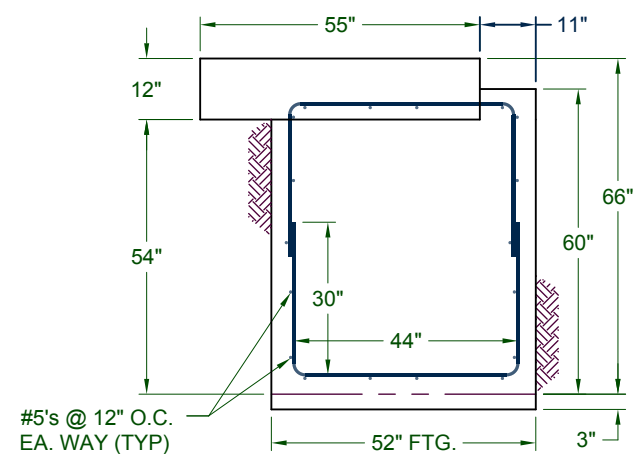
SECTION "B-B"



REINFORCEMENT SECTION "A-A"



ELEVATION VIEW



REINFORCEMENT SECTION "C-C"

ALL FOUNDATIONS SHALL BEAR ON UNDISTURBED EARTH. SIDES OF FOUNDATION SHALL BE FORMED IN THE EXCAVATED MATERIAL IF POSSIBLE. OTHERWISE, SIDEWALLS SHALL BE FORMED WITH THE INDICATED DIMENSIONS.

THE FIRST 3" OF THE CONCRETE PAD TO BE A LEVELING PAD, POUR BEFORE INSERTING THE STEEL BOLSTER ASSEMBLY.

ALL CONCRETE SHALL BE A CONTROLLED STONE GRAVEL MIX PRODUCED, TESTED, TRANSPORTED, PROTECTED AND PLACED IN ACCORDANCE WITH THE LATEST AMERICAN CONCRETE INSTITUTE RECOMMENDATIONS. FOLLOW ACI RECOMMENDATIONS FOR HOT WEATHER PLACEMENT, CURING AND MIX DESIGN.

OPTIMUM CONCRETE MIX: 4000 PSI COMPRESSIVE STRENGTH.
 MINIMUM 600 LB./CU.YD. CEMENT CONTENT
 MAXIMUM 0.50 WATER CONTENT.
 6% AIR CONTENT
 4" SLUMP

REINFORCING STEEL SHALL BE DEFORMED BARS (ASTM A-615) WITH A MINIMUM YIELD STRENGTH OF 60,000 PSI.

LAP ALL REINFORCING 36 BAR DIAMETERS.

CHAMFER ALL EXPOSED CONCRETE EDGES 3/4".

Rev:	Revisions:	Date:	Drn.	Chk.	DO NOT SCALE
G	Removed the locating pin from operator bolsters (ECR 007-14)	04/03/14	MKS	EGS	THE INFORMATION CONTAINED ON THIS DOCUMENT IS CONFIDENTIAL. ANY DISSEMINATION, UNAPPROVED DISCLOSURE OR COPYING OF THIS INFORMATION IS STRICTLY PROHIBITED. UNLESS OTHERWISE SPECIFIED DIMENSIONS ARE IN INCHES ANGLES ± 1° X/X ± 1/32, .XX ± .01, .XXX ± .005
F	52" FTG. was 48" FTG., revised rebar sizes and conduit location	08/04/09	MKS	DMR	
E	Yoke bolster upright spacing now matches (operator and yoke)	04/17/09	MKS	DMR	
D	Modified conduit location to back of operator cabinet	11/19/08	MKS	DMR	
C	Modified pad/footing per minor changes in the field per DMR	12/20/07	MKS	DMR	
B	Added the Operator Locating Pin to the Drawing	06/19/07	MKS	DMR	
A	Added Conduit Location to the Plan View	05/07/07	MKS	DMR	

Date: 04/27/07

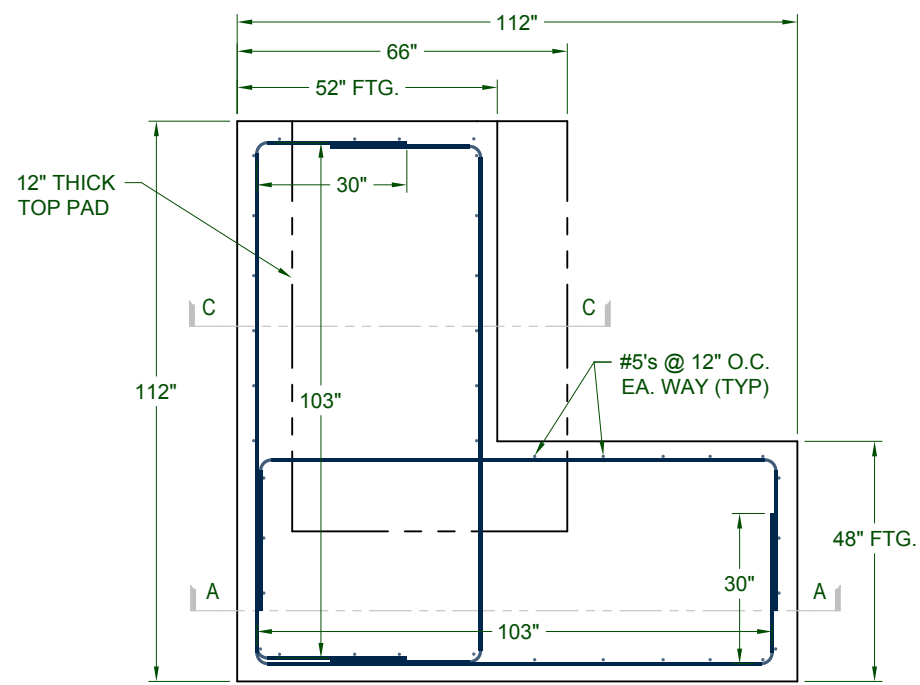
Drn. By: MKS

Ckd. By: DMR

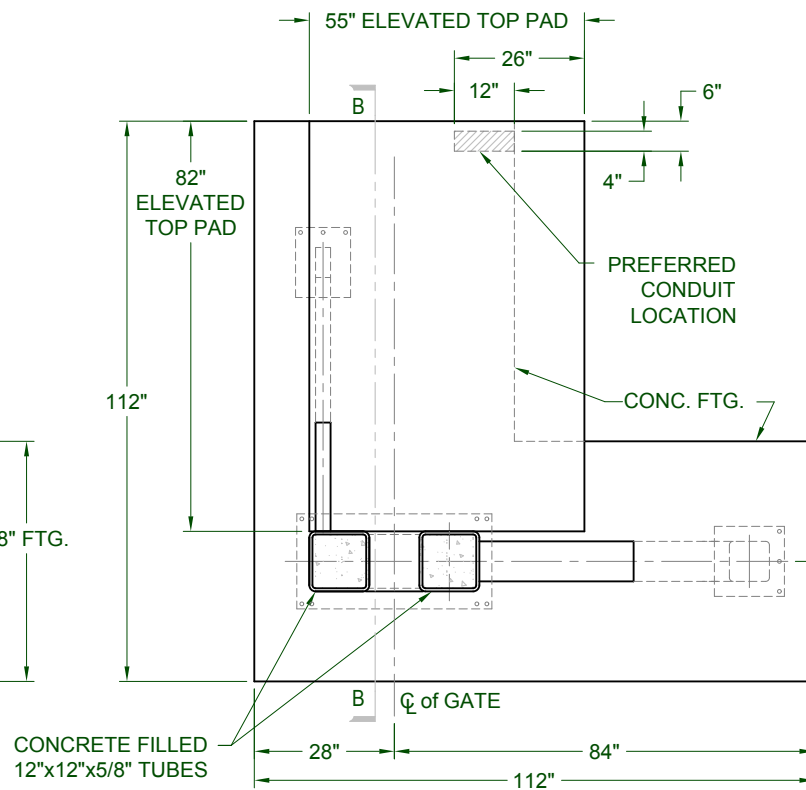
Dwg.: FOUNDATION-OperatorEnd_Lefthand.dwg

Title: Crash Gate Foundation - LH Oper. End

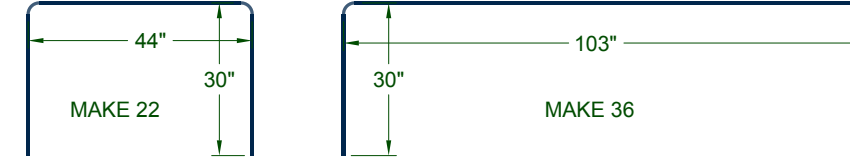




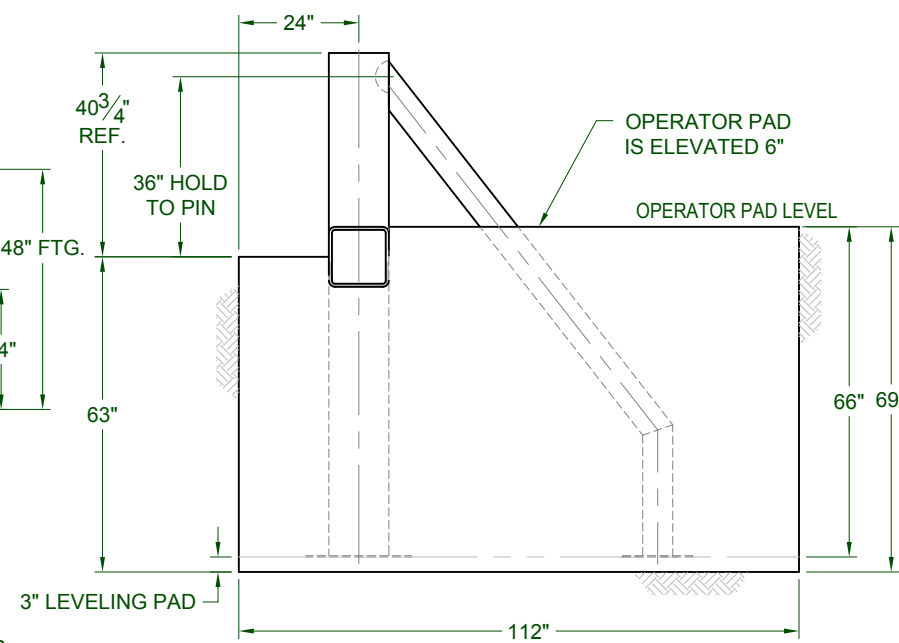
REINFORCEMENT PLAN



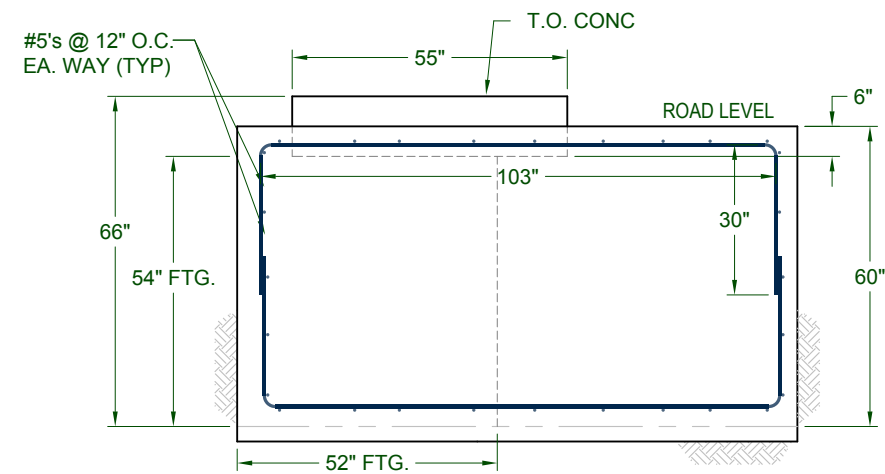
PLAN VIEW



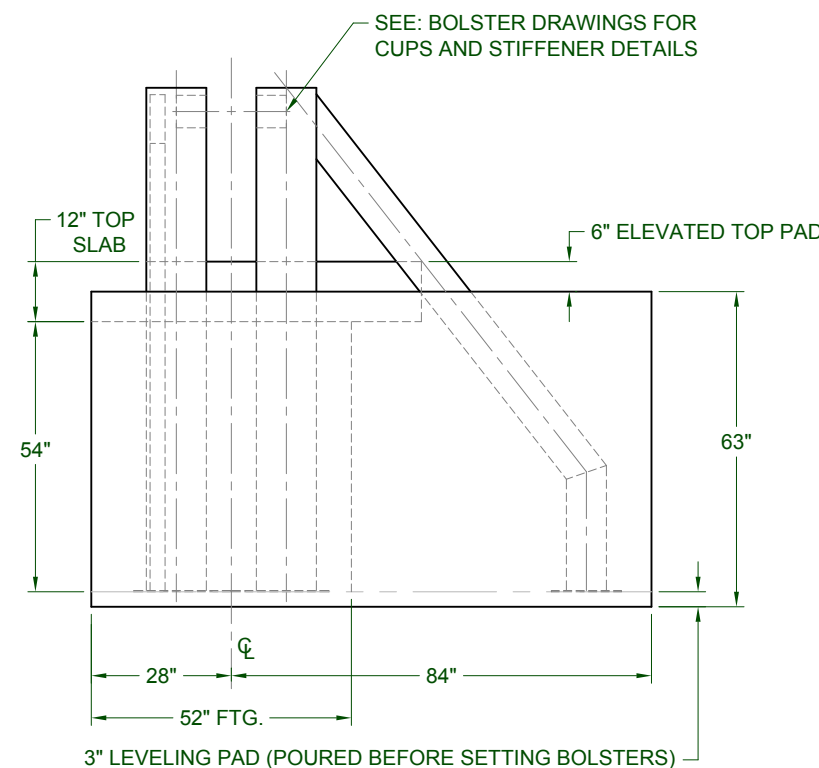
REBAR SIZES



SECTION "B-B"



REINFORCEMENT SECTION "A-A"



ELEVATION VIEW

ALL FOUNDATIONS SHALL BEAR ON UNDISTURBED EARTH. SIDES OF FOUNDATION SHALL BE FORMED IN THE EXCAVATED MATERIAL IF POSSIBLE. OTHERWISE, SIDEWALLS SHALL BE FORMED WITH THE INDICATED DIMENSIONS.

THE FIRST 3" OF THE CONCRETE PAD TO BE A LEVELING PAD, POUR BEFORE INSERTING THE STEEL BOLSTER ASSEMBLY.

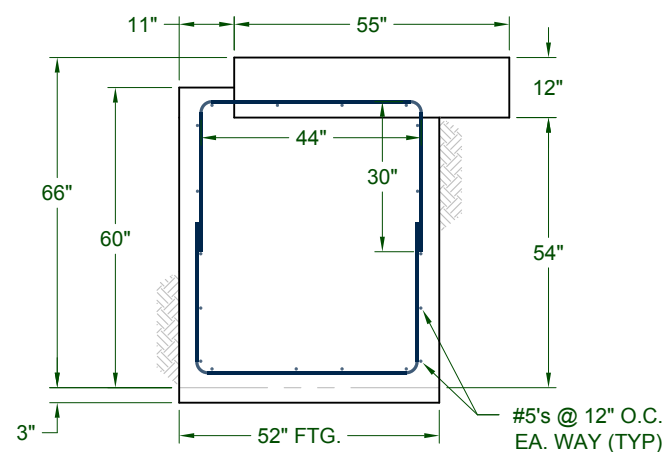
ALL CONCRETE SHALL BE A CONTROLLED STONE GRAVEL MIX PRODUCED, TESTED, TRANSPORTED, PROTECTED AND PLACED IN ACCORDANCE WITH THE LATEST AMERICAN CONCRETE INSTITUTE RECOMMENDATIONS. FOLLOW ACI RECOMMENDATIONS FOR HOT WEATHER PLACEMENT, CURING AND MIX DESIGN.

OPTIMUM CONCRETE MIX: 4000 PSI COMPRESSIVE STRENGTH.
 MINIMUM 600 LB./CU.YD. CEMENT CONTENT
 MAXIMUM 0.50 WATER CONTENT.
 6% AIR CONTENT
 4" SLUMP

REINFORCING STEEL SHALL BE DEFORMED BARS (ASTM A-615) WITH A MINIMUM YIELD STRENGTH OF 60,000 PSI.

LAP ALL REINFORCING 36 BAR DIAMETERS.

CHAMFER ALL EXPOSED CONCRETE EDGES 3/4".



REINFORCEMENT SECTION "C-C"

Rev:	Revisions:	Date:	Drn.	Chk.	DO NOT SCALE	Date:
G	Removed the locating pin from operator bolsters (ECR 007-14)	04/03/14	MKS	EGS	THE INFORMATION CONTAINED ON THIS DOCUMENT IS CONFIDENTIAL. ANY DISSEMINATION, UNAPPROVED DISCLOSURE OR COPYING OF THIS INFORMATION IS STRICTLY PROHIBITED	04/27/07
F	52" FTG. was 48" FTG., revised rebar sizes and conduit location	08/04/09	MKS	DMR		Drn. By: MKS
E	Yoke bolster upright spacing now matches (operator and yoke)	04/17/09	MKS	DMR		Ckd. By: DMR
D	Modified conduit location to back of operator cabinet	11/19/08	MKS	DMR		Dwg.: FOUNDATION-OperatorEnd_Righthand.dwg
C	Modified pad/footing per minor changes in the field per DMR	12/20/07	MKS	DMR		
B	Added the Operator Locating Pin to the Drawing	06/19/07	MKS	DMR	UNLESS OTHERWISE SPECIFIED DIMENSIONS ARE IN INCHES ANGLES ± 1° X/X ± 1/32, .XX ± .01, .XXX ± .005	Title: Crash Gate Foundation - RH Oper. End
A	Added Conduit Location to the Plan View	05/07/07	MKS	DMR		

