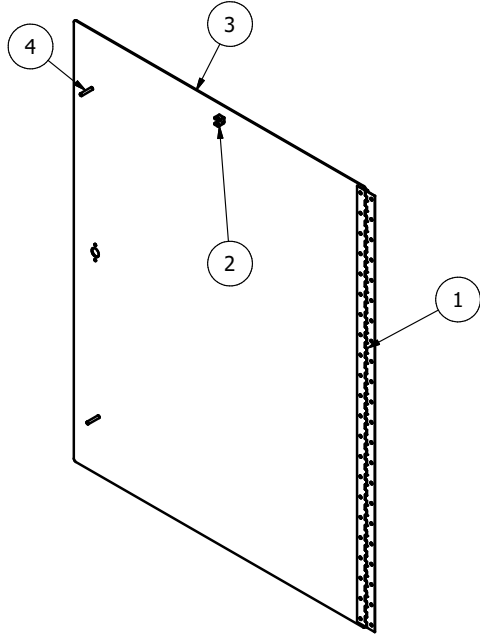



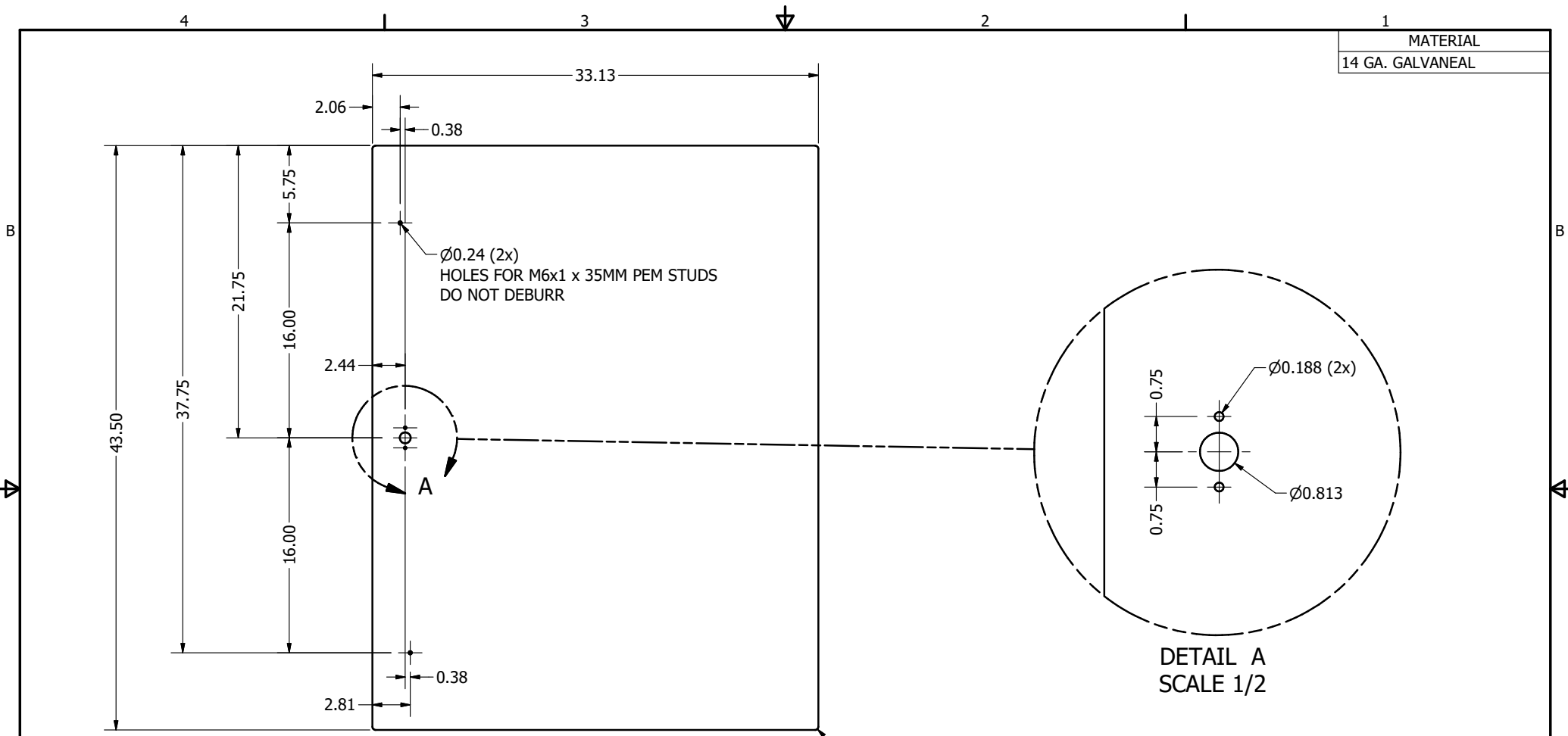
PARTS LIST			
ITEM	QTY	PART NUMBER	DESCRIPTION
1	1	H-0192	CONTINUOUS HINGE -- 43"/SS
2	1	H-0191	CLEVIS CHAIN BRACKET
3	1	T-0634-1	DOOR BLANK -- LH
4	2	PEM# FH-M6-35ZI	LATCH PEM STUD



REV	DATE	DESCRIPTION	ECN	DRW BY	CKD BY
A	8/8/2022	RELEASED FOR PRODUCTION		JWS	DSF

REVISION HISTORY

<b>NOTICE</b> THE INFORMATION CONTAINED IN THIS DOCUMENT IS CONFIDENTIAL. ANY DISSEMINATION, UNAPPROVED DISCLOSURE, OR COPYING OF THIS INFORMATION IS STRICTLY PROHIBITED.	Date: 8/4/2022	 Berlin Heights, Ohio FAX (419) 588-3514
	Drw By: JWS	
NOTE: DIMENSIONS ARE IN INCHES UNLESS OTHERWISE SPECIFIED TOLERANCES ARE: ANGLES ± 1° X/4" ± 1/16" X.X" ± .06 X/8" ± 1/32" X.XX" ± .03" X/16" ± 1/64" X.XXX" ± .005"	Ckd. By: DSF	
	Title: MANUFACTURED COMPONENT	
Description: CABINET DOOR ASSY - LH W/CHAIN		
Drawing Number: <b>T-0634</b>		Rev: A
Sheet: 1 of 2		Material:
FILE: C:\_Vault\Designs\Projects\PR-1104 - Old Style Operator Skin Replacement\T-0634.iam		




MATERIAL
14 GA. GALVANEAL

Ø0.24 (2x)  
HOLES FOR M6x1 x 35MM PEM STUDS  
DO NOT DEBURR

Ø0.188 (2x)  
Ø0.813

DETAIL A  
SCALE 1/2

<b>NOTICE</b> THE INFORMATION CONTAINED IN THIS DOCUMENT IS CONFIDENTIAL. ANY DISSEMINATION, UNAPPROVED DISCLOSURE, OR COPYING OF THIS INFORMATION IS STRICTLY PROHIBITED.	Date: 8/4/2022	 Gale Entry Systems Berlin Heights, Ohio FAX (419) 588-3514
	Drw By: JWS	
NOTE: DIMENSIONS ARE IN INCHES UNLESS OTHERWISE SPECIFIED TOLERANCES ARE: ANGLES ± 1° X/4" ± 1/16" X.X" ± .06 X/8" ± 1/32" X.XX" ± .03" X/16" ± 1/64" X.XXX" ± .005"	Ckd. By: DSF	Title: PURCHASED COMPONENT
	Description: DOOR BLANK -- LH	
Drawing Number: <b>T-0634-1</b>		Rev: A
Sheet: 2 of 2		Material: Steel, Galvanized
FILE: C:\_Vault\Designs\Projects\PR-1104 - Old Style Operator Skin Replacement\T-0634-1.ipt		

REV	DATE	DESCRIPTION	ECN	DRW BY	CKD BY
A	8/8/2022	RELEASED FOR PRODUCTION		JWS	DSF

REVISION HISTORY