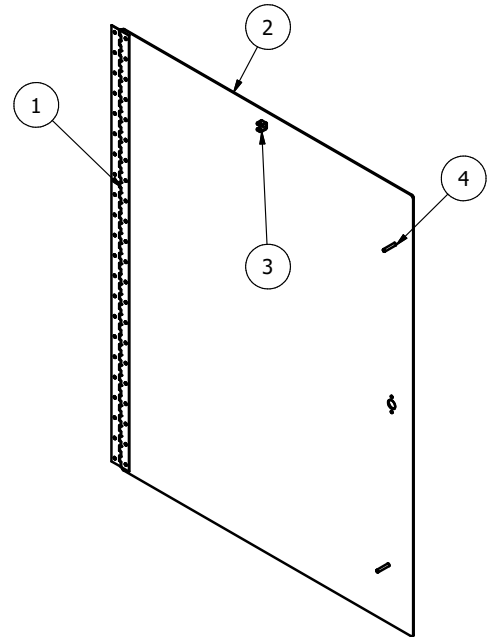



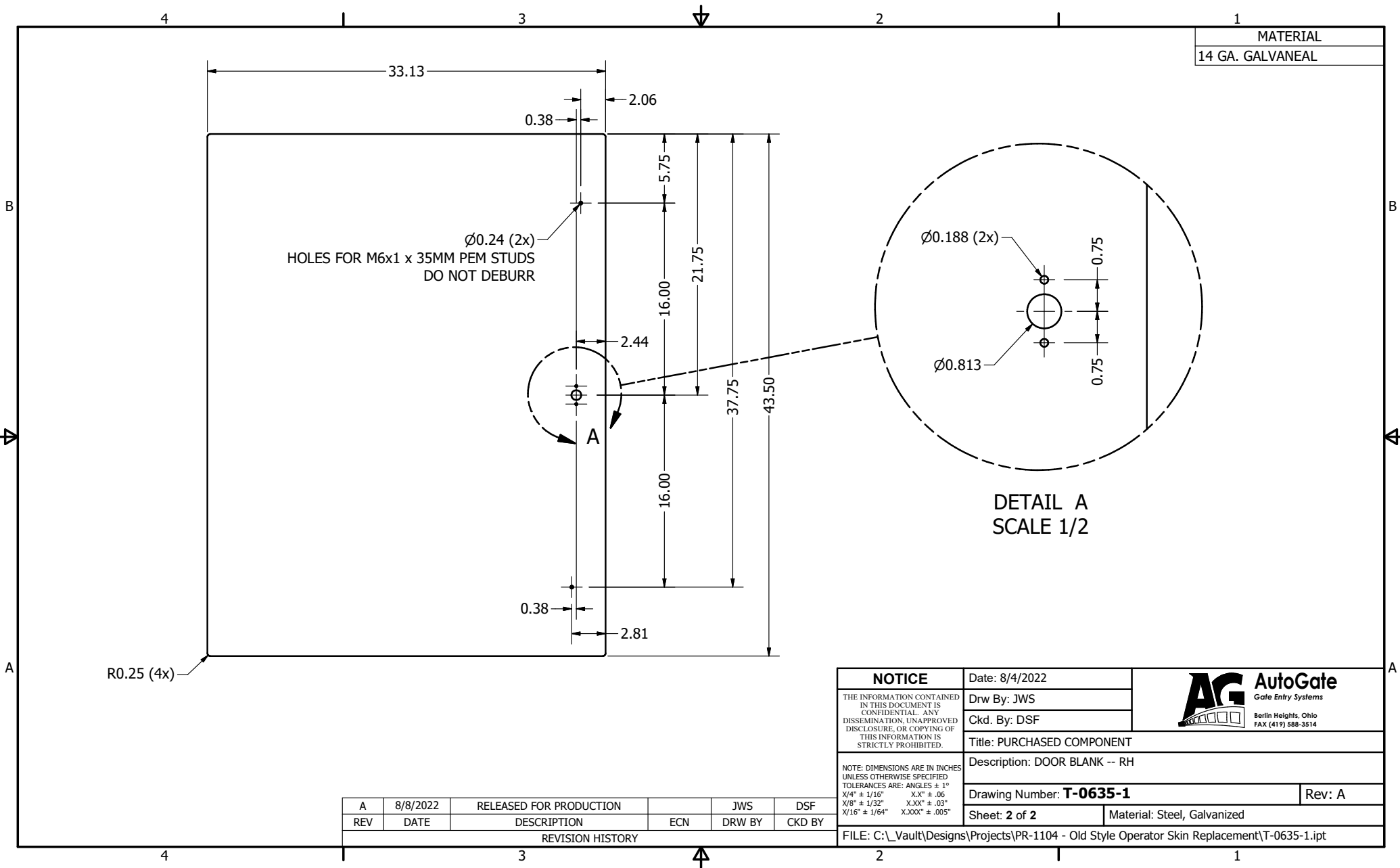
PARTS LIST			
ITEM	QTY	PART NUMBER	DESCRIPTION
3	1	H-0191	CLEVIS CHAIN BRACKET
1	1	H-0192	CONTINUOUS HINGE -- 43"/SS
2	1	T-0635-1	DOOR BLANK -- RH
4	2	PEM# FH-M6-35ZI	LATCH PEM STUD



REV	DATE	DESCRIPTION	ECN	DRW BY	CKD BY
A	8/8/2022	RELEASED FOR PRODUCTION		JWS	DSF

REVISION HISTORY


NOTICE THE INFORMATION CONTAINED IN THIS DOCUMENT IS CONFIDENTIAL. ANY DISSEMINATION, UNAPPROVED DISCLOSURE, OR COPYING OF THIS INFORMATION IS STRICTLY PROHIBITED.	Date: 8/4/2022	 AG AutoGate Gate Entry Systems Berlin Heights, Ohio FAX (419) 588-3514
	Drw By: JWS	
	Ckd. By: DSF	
NOTE: DIMENSIONS ARE IN INCHES UNLESS OTHERWISE SPECIFIED TOLERANCES ARE: ANGLES ± 1° X/4" ± 1/16" X.X" ± .06 X/8" ± 1/32" X.XX" ± .03" X/16" ± 1/64" X.XXX" ± .005"	Title:	Description: CABINET DOOR ASSY - RH W/CHAIN
	Drawing Number: T-0635	Rev: A
	Sheet: 1 of 2	Material:
FILE: C:_Vault\Designs\Projects\PR-1104 - Old Style Operator Skin Replacement\T-0635.iam		



MATERIAL
14 GA. GALVANEAL

Ø0.24 (2x)
HOLES FOR M6x1 x 35MM PEM STUDS
DO NOT DEBURR

DETAIL A
SCALE 1/2

NOTICE THE INFORMATION CONTAINED IN THIS DOCUMENT IS CONFIDENTIAL. ANY DISSEMINATION, UNAPPROVED DISCLOSURE, OR COPYING OF THIS INFORMATION IS STRICTLY PROHIBITED.	Date: 8/4/2022	 Gale Entry Systems Berlin Heights, Ohio FAX (419) 588-3514
	Drw By: JWS	
NOTE: DIMENSIONS ARE IN INCHES UNLESS OTHERWISE SPECIFIED TOLERANCES ARE: ANGLES ± 1° X/4" ± 1/16" X.X" ± .06 X/8" ± 1/32" X.XX" ± .03" X/16" ± 1/64" X.XXX" ± .005"	Ckd. By: DSF	Title: PURCHASED COMPONENT
	Description: DOOR BLANK -- RH	
Drawing Number: T-0635-1		Rev: A
Sheet: 2 of 2		Material: Steel, Galvanized
FILE: C:_Vault\Designs\Projects\PR-1104 - Old Style Operator Skin Replacement\T-0635-1.ipt		

REV	DATE	DESCRIPTION	ECN	DRW BY	CKD BY
A	8/8/2022	RELEASED FOR PRODUCTION		JWS	DSF

REVISION HISTORY