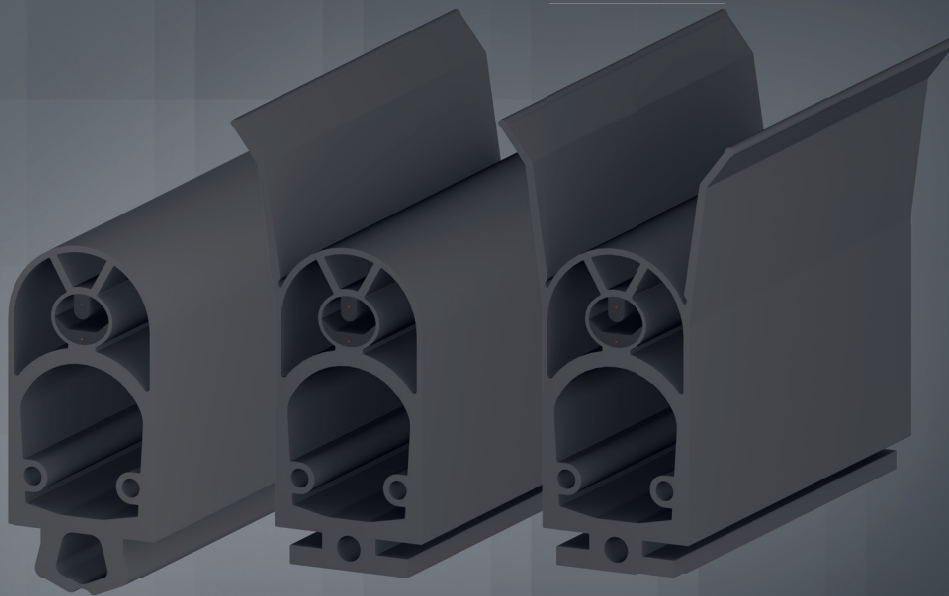


SENTIR[®] edge

25.45



ASO **Safety**
Solutions

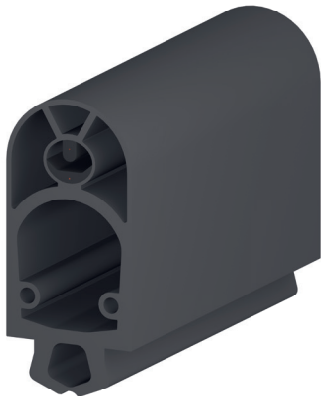
Product Information



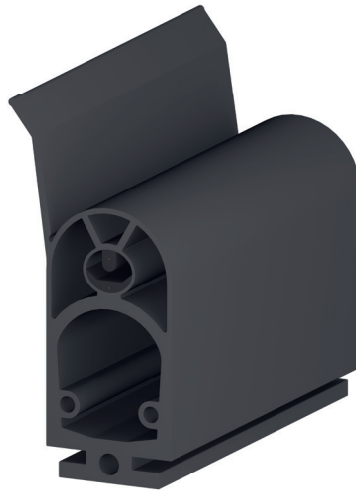
© ASO Inc.
All Rights Reserved

Specifications

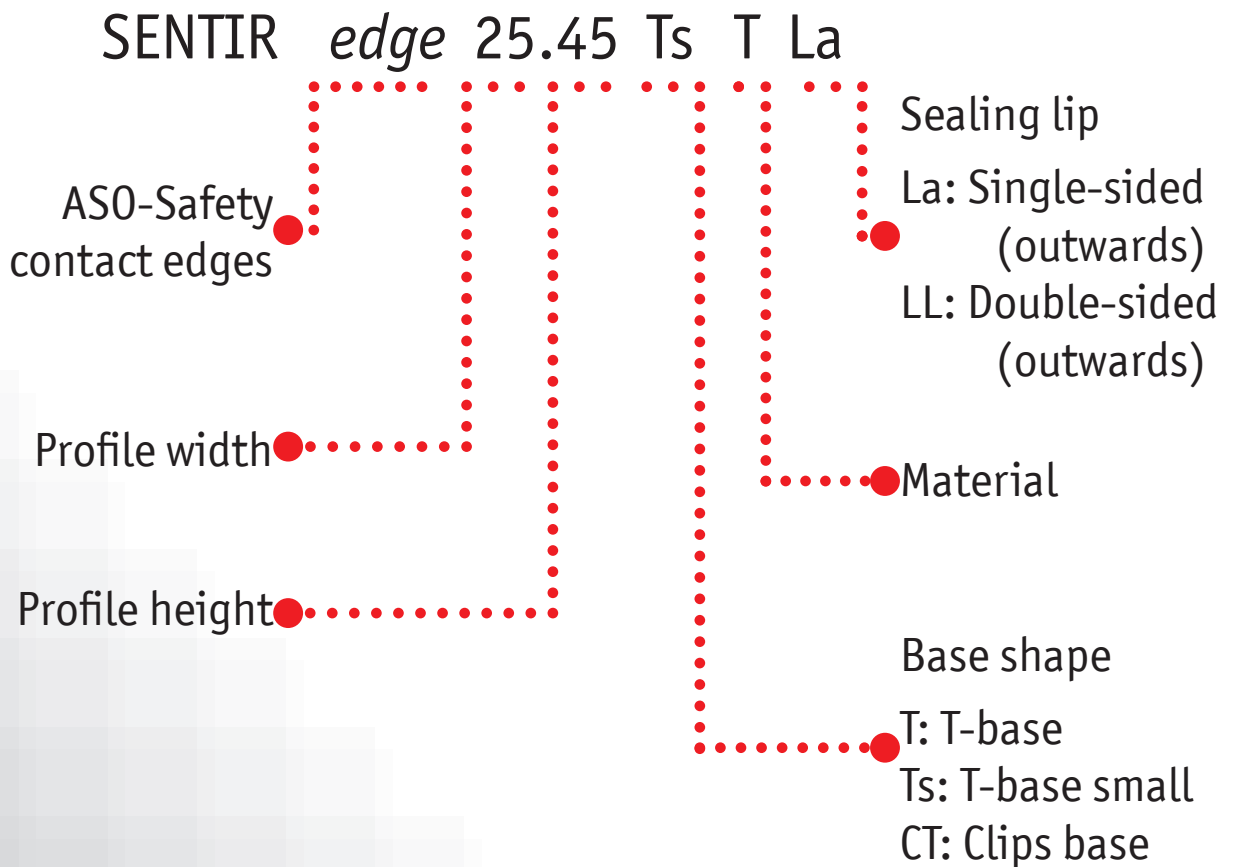
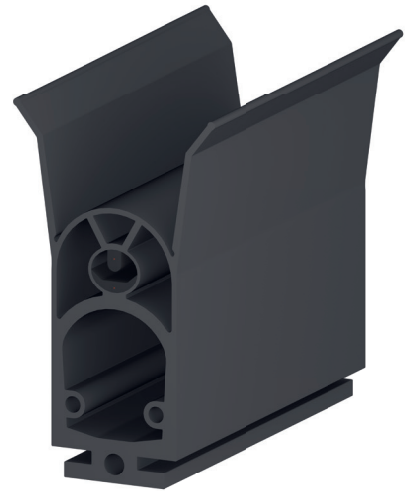
SENTIR *edge*
25.45 CT



SENTIR *edge*
25.45 TTLa

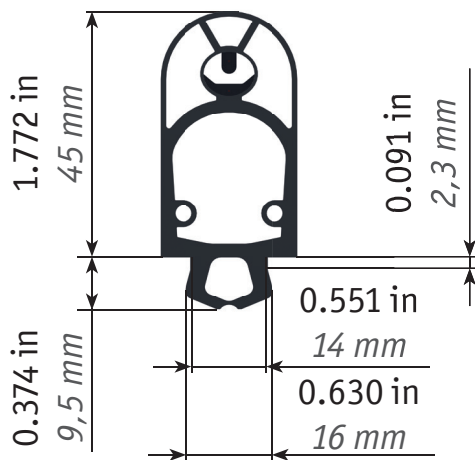


SENTIR *edge*
25.45 TTLL

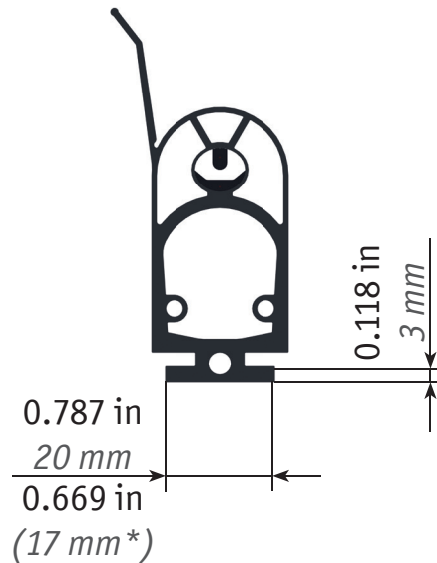


Specifications

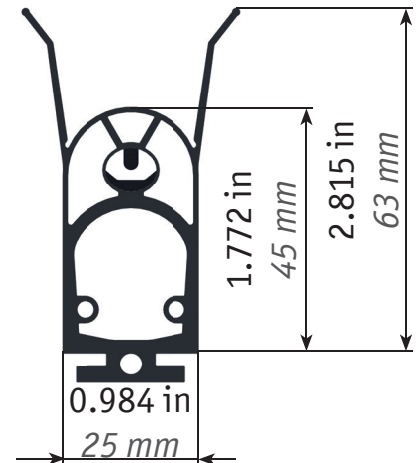
SENTIR edge
25.45 CT



SENTIR edge
25.45 T(s*)TLa



SENTIR edge
25.45 FTLa



* All shown variants are also available with smaller base shape „Ts“.

Max. Lieferlänge Max. delivery length	98.425 ft / 30 m
Dimensionen Dimensions	0.984 in / 25 mm W x 1.772 in / 45 mm H
Zertifizierungen Certificates	EN ISO 13856-2 EN 12978 EN ISO 13849-1 UL 325

Dimension in inch, *Dimension in mm*, Tolerances according to DIN ISO 3302-1 class E2